

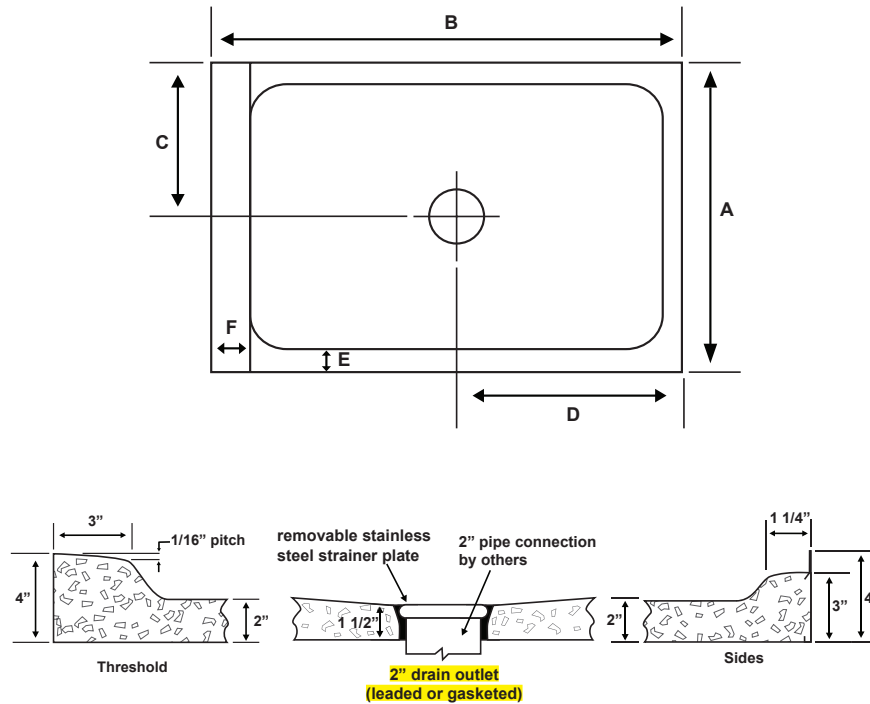
- Florentine receptors are designed for installations where tile walls and glass enclosures are used.
- Shower floor is precast terrazzo as manufactured by Creative Industries Terrazzo Products, Inc.
- Receptors shall be cast as one-piece units with wire mesh reinforcing if specified.
- Terrazzo shall be of genuine black and white marble chips cast in white portland cement to provide a compressive strength of not less than 5,000 P.S.I. seven days after casting.
- Terrazzo surfaces are ground and polished with all air holes and/or pits to be grouted and excess removed and sealed.
- Flange, cast integral, shall be of galvanized bonderized steel and shall extend not less than 1" above the shoulder. Shoulder shall not be less than 1" high and not less than 1 1/4" wide.
- Drain body shall be integrally cast and provide for a caulked lead connection not less than 1" deep to a 2" pipe. Removable type strainer plate shall be made of stainless steel.
- **\*Alternate colors, custom sizes and drain locations are available on all models for an additional cost.**

#### Installation:

- Establish 1/4" clearance between shower floor and building wall. It is required that the entire area between the shower floor and the building floor has a 1/2" layer of mortar to ensure the shower floor is level.

**Note:** Dimensions may vary  $\pm 1/2"$  due to the nature of material and manufacturing process and are subject to change or cancellation without prior notice.

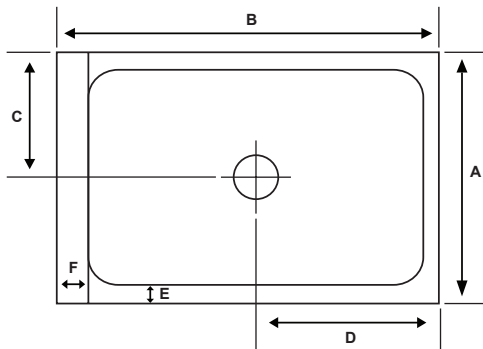
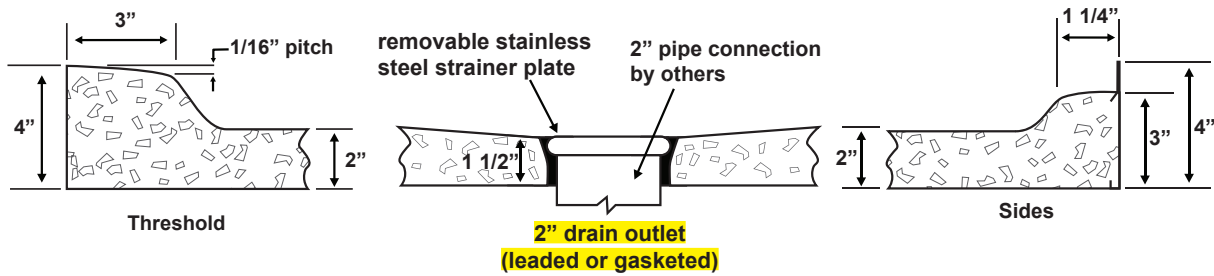
**Note:** Drawings not to scale.



Florentine Model: Rectangle - Single Threshold Short Side							
Model	Size	A	B	C	D	E	F
T3236	32"x36"x4"	32"	36"	16"	18"	1 1/4"	3"
T3242	32"x42"x4"	32"	42"	16"	21"	1 1/4"	3"
T3248	32"x48"x4"	32"	48"	16"	24"	1 1/4"	3"
T3260	32"x60"x4"	32"	60"	16"	30"	1 1/4"	3"
T3448	34"x48"x4"	34"	48"	17"	24"	1 1/4"	3"
T3642	36"x42"x4"	36"	42"	18"	21"	1 1/4"	3"
T3648	36"x48"x4"	36"	48"	18"	24"	1 1/4"	3"
T4860	48"x60"x4"	48"	60"	24"	30"	1 1/4"	3"

**Note:** Dimensions may vary  $\pm 1/2"$  due to the nature of material and manufacturing process and are subject to change or cancellation without prior notice.

**Note:** Drawings not to scale.



Qty	Size	A	B	C	D	E	F

Drain (select one):  Lead Caulk  Gasket

Color (other than Black and White): \_\_\_\_\_

Notes: \_\_\_\_\_

**Important:** This is an approval drawing, all dimensions are to be verified and an approved copy of this print is to be returned to Creative Industries Terrazzo Products before production can proceed. Orders shall be **non-changeable** and **non-cancelable** once drawing is signed for approval and submitted. Signing this approval form bounds customer to quantity and specifications noted on this form.

**Note:** Dimensions may vary  $\pm 1/2"$  due to the nature of material and manufacturing process and are subject to change or cancellation without prior notice.

**Note:** Drawings not to scale.

Approval Form	
Model No.:	_____
Job:	_____
Address:	_____
Order No.:	_____
Approved by:	_____ Date: ___/___/___