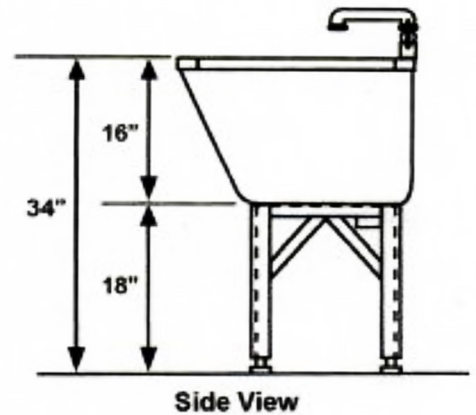
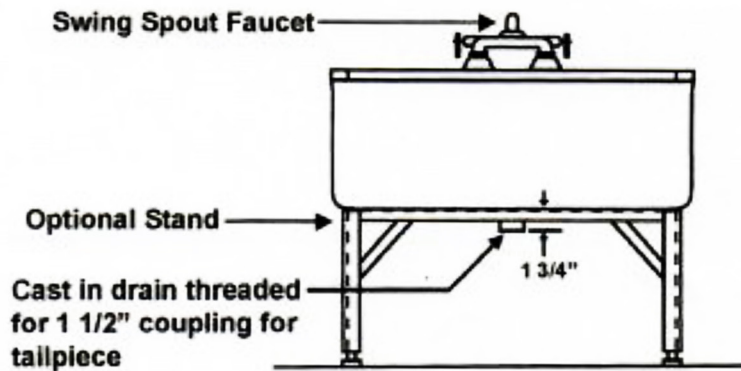
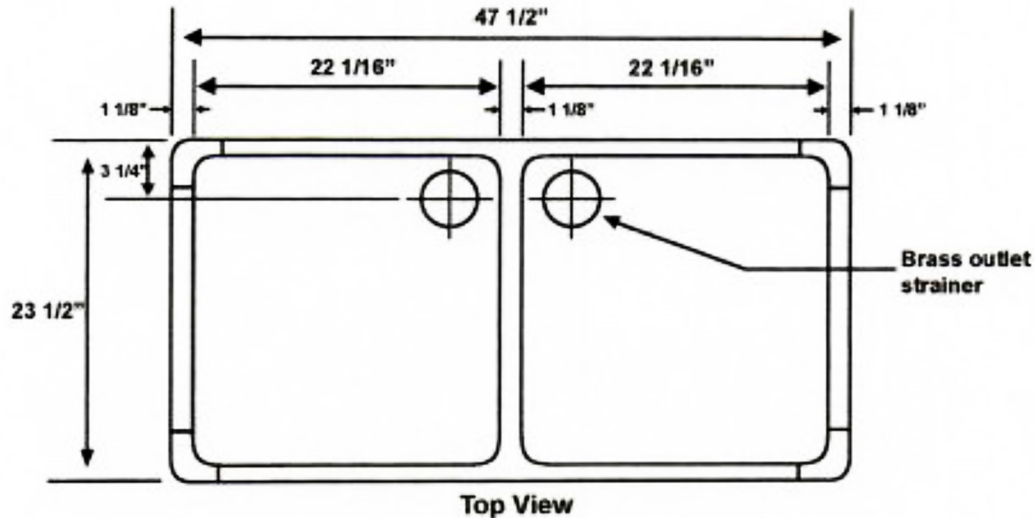


- The regular cement laundry tray is made of washed aggregates and high quality waterproof cement.
- Rounded metal rim and mono seam corners protect edges against injuries to tray or user.
- Carefully finished and free of air holes.
- Threaded 1 1/2" cast iron drain connection with brass strainer cast in each tray.
- Optional: sturdy, braced enameled hot rolled steel angle stand with ball and cup levelers.



Important: This is an approval drawing, all dimensions are to be verified and an approved copy of this print is to be returned to Creative Industries Terrazzo Products before production can proceed. Orders shall be non-changeable and non-cancelable once drawing is signed for approval and submitted. Signing this approval form bounds customer to quantity and specifications noted on this form.

Note: Dimensions may vary $\pm 1/2"$ due to the nature of material and manufacturing process and are subject to change or cancellation without prior notice.

Note: Drawings not to scale.

Approval Form

Model No.: _____
 Job: _____
 Address: _____
 Order No.: _____
 Approved by: _____ Date: ___/___/___